

# SpeedCAM 102c technical sheet

B&W IR smart camera for speed enforcement



## ANPR CAMERA

Sensor Size (H x V pixels)	752 x 480
Sensor	B&W, Progressive scan CMOS
Optical Size	1/3"
Pixel Size (in µm)	6.0 x 6.0
Max Frame Rate (at full resolution)	60 frames/sec
Video output format	RAW, 8 bit grayscale
Exposure Control	Global shutter, software adjustable 1/100..1/30000 s
Communication interface	RJ45, 100 Mbit/sec
Internal memory	For 60 full frames
Light sensor	Included, Adjustable for switching day/night mode
Filter	IR pass (720 nm-)

## LENS

Lens type	6-36 mm varifocal, Motorized
Iris, Focus, Zoom	Remote control focus, iris, zoom
Effective range for ANPR	3 - 20 m (15-20m with speed measurement)

## ILLUMINATION

Type	Array of high quality IR LEDs, Controlled and synchronised flash
Wavelength	Default 850 nm (other wavelength upon request)
Intensity	4 preconfigured modes (Low, Normal, High, Ultra)
Flash time	Software adjustable, up to 950 µs

## MECHANICAL/ELECTRONICAL

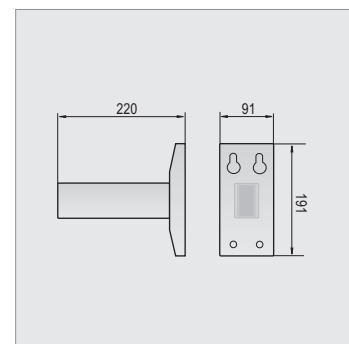
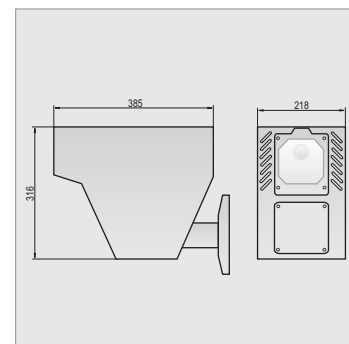
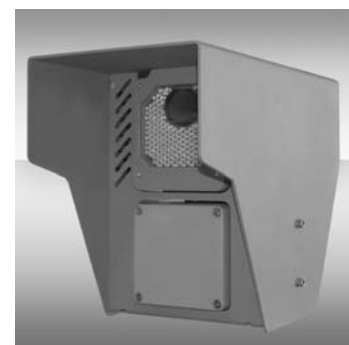
Power requirement	24-28 VAC or 30-36 VDC
Power consumption	Avg. 30 W, Max. 48 W, depending on heating on/off
Dimensions (L x W x H)	385 mm x 218 mm x 316 mm (Including sunshield, w/o bracket)
Weight	11.5 kg (Including sunshield and bracket)
IP rating	IP 67
Housing Color	RAL 9007 (Other colors are available upon request)
Temperature range	-20 °C to +55 °C (Extra heating available)
I/O ports	Opto in <input checked="" type="checkbox"/> (Opto isolated input for trigger-in, 5..12 VDC)
	Serial RS232/S <input checked="" type="checkbox"/>

## RADAR

Measurement principle	Doppler-Radar
Radar frequency	24.165 GHz, K-Band
Type of detection	Movement, selectable uni- or bidirectional
Installation angle	10-25° for official speed measurement
Operating mode	Counting (signed) speed

## PC - with integrated ANPR software

CPU	1.6 GHz Intel Atom CPU 32 bit
Storage	4GB SSD memory (At least 3GB free memory for user data)
Memory	1GB DDR II.
Network	Gigabit ethernet card, Web-server for smooth communication
Operating system	Linux, Fedora11 32 bit



Technical specifications are subject to change without prior notice

ARH Inc.

H-1126 Budapest, Királyhágó tér 8-9. Hungary

Phone: +36 1 201 9650 • Fax: +36 1 201 9651

www.arhungary.hu • E-mail: moreinfo@arhungary.hu

